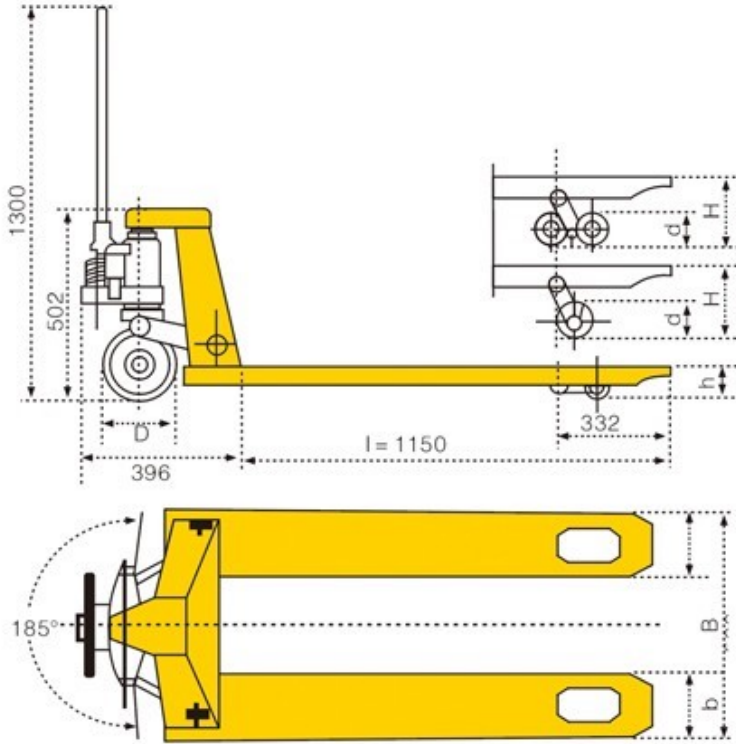




# HAND OPERATED HYDRAULIC PALLET TRUCKS



## TECHNICAL DATA SHEET

DESCRIPTION	DATA				
Rated Capacity (kgs.)	1500	2500	3000	3000	5000
Fork width (mm) B	550	550	550	685	685
Fork length (mm)	1150	1150	1150	1220	1220
Min Fork Height (mm)	75	85	85/75	85/75	85
Max Fork Height (mm)	195	195	195	195	195
Lift (mm)	110	110	110	110	110
Single fork Width (mm)	160	160	160	160	160
Steering Wheel (dia. X mm)	160*50	180 x50	180 x50	180 x50	180 x50
Load wheel* (dia. X mm) Tandem	70*60	80*70	80*70	80*70	80*70
Weight (kgs.)	73-92	73-92	73-92	73-92	120/130

Marketed by :-

## ELEQUIP TOOLS PVT. LTD.

19 Pollock Street 2nd Floor  
Kolkata 700 001. W.B

Phone: (033) 22351792 / 2400

Email: [contact@ehoists.in](mailto:contact@ehoists.in) / [elequipsales@gmail.com](mailto:elequipsales@gmail.com)

**GUARANTEED QUALITY • DEDICATED SERVICE • AUTHORISED SPARES**

[www.ehoists.in](http://www.ehoists.in)