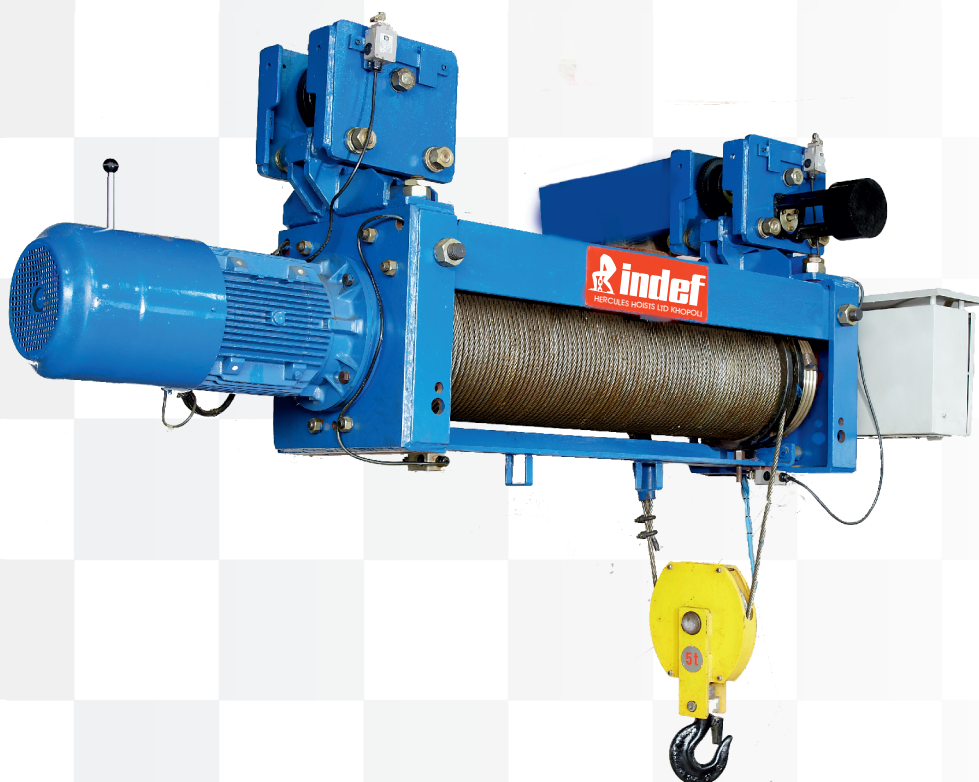


**HERCULES HOISTS LIMITED**



**Compact Wire Rope Hoist  
HW Series**

- ◆ Lifting
- ◆ Moving
- ◆ Storing

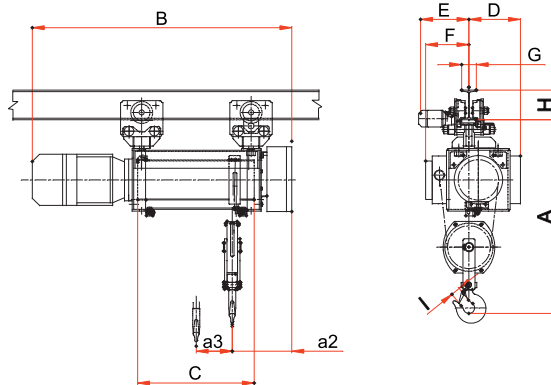


**Material Handling. Delivered.**

Redefining Material Handling. Since 1962.

- ▶ Extensive range  
From 1 T SWL to 40 T SWL
- ▶ Proven design with guaranteed safety & reliability
- ▶ Planetary gear box  
Smooth and low noise operation
- ▶ Gear box inside rope drum  
Compact design
- ▶ Twin drum, (4/2) fall option available  
High speed and high lift option readily available
- ▶ Geared couplings  
Enhanced transmission
- ▶ Overload sensor
- ▶ Optional VFD, Radio remotes, special lower blocks, PLC controls, rotary limit switch  
Truly customisable
- ▶ Hoist and electric control design available for hazardous area application  
Extended application capability

# HW - 2 (L) / HW - 2 WIRE ROPE HOISTS



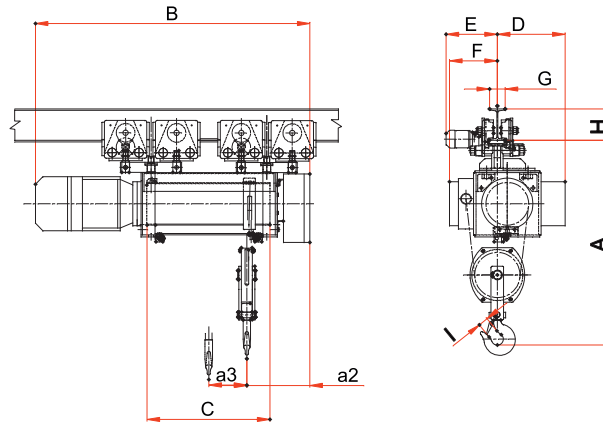
Type		HW2 (L)								HW2								
		H1	H3	H5	H7	H1	H3	H5	H7	H2	H4	H6	H9	H2	H4	H6	H9	
Drum Length (C)	mm	583	832	1232	1631	583	832	1232	1631	699	1032	1432	2031	699	1032	1432	2031	
SWL Class - II	Tonnes	1.5				3				3				6				
SWL Class - IV	Tonnes	1.25				2.5				2.5				5				
Lift	M	12	20	35	50	6	10	18	25	12	20	35	50	6	10	18	25	
No. Of Falls		2 Falls		4 Falls		2 Falls		4 Falls		2 Falls		4 Falls		2 Falls		4 Falls		
Wire Rope Dia.	mm	8				8				10				10				
Hoisting Speed	M/Min.	5.9				2.95				8.2				4.1				
Hoisting Motor Kw.	Kw	2.2				2.2				5.5				5.5				
Travelling Speed	M/Min.	17				17				17				17				
Travelling Motor Kw.	Kw	0.18 KW				0.37 KW				0.37 KW				0.55 KW				
Trolley Wheel (Dia./Qty.)	mm /Nos.	140 (4)				140 (4)				140 (4)				140 (4)				
Dimn. A (Head Room)	mm	1230				1180				1280				1240				
Dimn. (B) (Note-1)	mm	1375	1625	2025	2425	1375	1625	2025	2424	1597	1882	2262	2881	1597	1882	2262	2881	
Dimn. D	mm	210				243				210				243				
Dimn. E (Note-3) Min.	mm	600				600				600				600				
Dimn. F	mm	321				205				321				205				
Dimn. G (Flange Width)	mm	90 - 180				125 - 210				90 - 180				125 - 210				
Dimn. H (Beam Height)	mm	175				250				175				250				
Dimn. I	mm	37				42				42				52				
Dimn. a2	mm	370				406				370				406				
Dimn. a3	mm	160	280	480	680	95	175	310	440	215	380	580	780	130	245	375	815	
Approx. Weight	Hoist	Kg	220	250	305	340	245	270	320	365	235	270	320	365	255	295	340	385
	Trolley	Kg	120	120	120	120	120	120	120	120	150	150	150	150	150	150	150	150
	Total	Kg	340	370	425	460	365	390	440	485	385	420	470	515	405	445	490	535

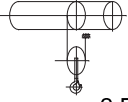
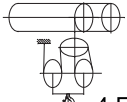
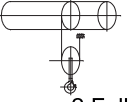


**NOTES:**

Data Tolerance ±10% .

- 1) 1:3 CREEP SPEED CAN BE GIVEN AT EXTRA COST & DIMENSIO 'B' WILL INCREASE BY 165 MM
- 2) 13,26 MPM TROLLIES ALSO CAN BE SUPPLIED (SINGLE REDUCTION GEAR BOX)
- 3) 8.5, 4.25, 2.8, 2.1 MPM TROLLIES ALSO CAN BE SUPPLIED (DOUBLEE REDUCTION GEAR BOX) AT EXTRA COST, DIMENSION 'E' WILL INCREASE IN 100MM.

# HW3, HW4 (L), HW4 (HL) WIRE ROPE HOISTS



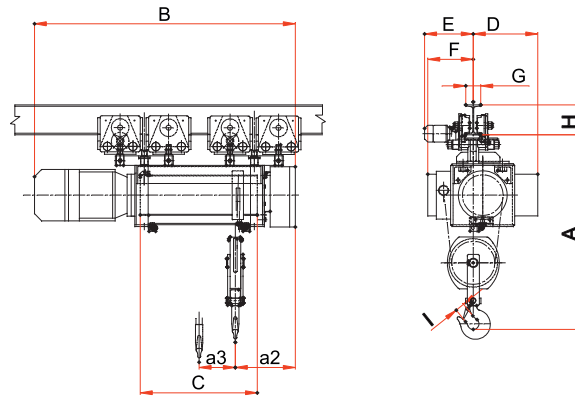
Type	HW3									HW4 (L)						HW4 HIGH LIFT													
	H2	H4	H6	H9	H2	H4	H6	H9	H1	H4	H8	H1	H4	H8	H2	H4	H5	H2	H4										
Drum Length (C)	mm									706	1030	1419	2002	706	1030	1419	2002	695	1201	2100	695	1201	2100	1700	2200	2450	2150	2750	
SWL Class - II	Tonnes									5			10			6			12			12			20				
SWL Class - IV	Tonnes									4			8			5			10			10			16				
Lift	M									12	20	35	50	6	10	18	25	14	30	60	7	15	30	30	40	45	30	40	
No. Of Falls	 2 Falls  4 Falls									 2 Falls			 4 Falls			 4 Falls													
Wire Rope Dia.	mm									13			13			13			13			13			18				
Hoisting Speed	M/Min.									8.1			4.0			8.2			4.1			3.8							
Hoisting Motor Kw.	Kw									9.3			9.3			15			15			15							
Travelling Speed	M/Min.									17			17			17			17										
Travelling Motor Kw.	Kw									0.37 KW			0.55 KW (2 NOS.)			0.55 Kw			0.55 Kw (2 Nos.)			0.75 KW (2 Nos.)							
Trolley Wheel Dia/Qty.	mm/Nos.									140 (4)			140 (4)			140 (4)			140 (8)			140 (8)							
Dimn. A (Head Room)	mm									1550			1530			1670			1660			1860							
Dimn. (B) (Note-1)	mm									1668	1992	2381	2964	1668	1992	2381	2964	1796	2302	3201	1796	2302	3201	2464	3254	4350	4275	4323	
Dimn. D	mm									512			486			539			500			500			500				
Dimn. E (Note-3) Min.	mm									600			600			600			600			600							
Dimn. F	mm									408			434			381			420			381			420				
Dimn. G	mm									125 - 210			125 - 210			125 - 210			150 - 210			125 - 210			150 - 210				
Dimn. H (MIN.)	mm									250			250			250			450			250			450				
Dimn. I	mm									52			78			78			95			78			95				
Dimn. a2	mm									484			587			505			597			548			652				
Dimn. a3	mm									202	365	560	755	100	210	340	465	183	436	886	91	260	560	155	317	480	135	335	
Approx. Weight	Hoist	Kg									340	390	450	510	370	420	480	535	480	550	735	530	590	835	850	950	1100	900	1000
	Trolley	Kg									120	120	120	120	140	140	140	140	140	140	140	280	280	280	280	280	280	280	280
	Total	Kg									460	510	570	630	510	560	620	675	620	690	875	810	870	1115	1130	1230	1380	1180	1280

**NOTES:**

Data Tolerance ±10% .

- 1) 1:3 CREEP SPEED CAN BE GIVEN AT EXTRA COST & DIMENSION 'B' WILL INCREASE BY 165 MM
- 2) 13,26 MPM TROLLIES ALSO CAN BE SUPPLIED (SINGLE REDUCTION GEAR BOX)
- 3) 8.5, 4.25, 2.8, 2.1 MPM TROLLIES ALSO CAN BE SUPPLIED (DOUBLE REDUCTION GEAR BOX) AT EXTRA COST, DIMENSION 'E' WILL INCREASE IN 100 MM.

# HW4 (M), HW4 (H), HW5 & HW5 (H) WIRE ROPE HOISTS



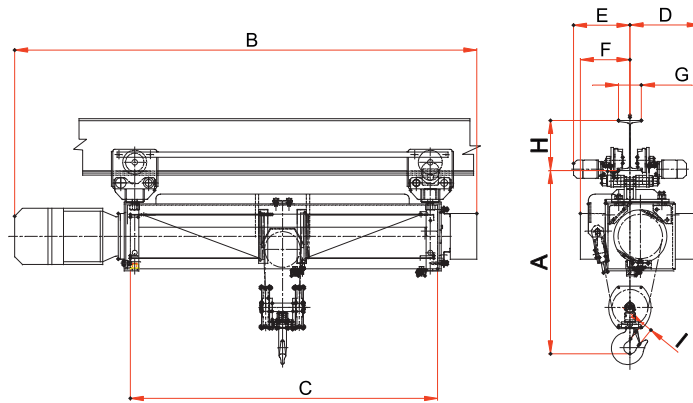
Type	HW4 (M)								HW4 (H)								HW5			HW5 (H)				
	H1	H3	H5	H9	H1	H3	H5	H9	H1	H3	H5	H9	H1	H3	H5	H9	H4	H6	H8	H4	H7			
Drum Length (C)	mm																							
SWL Class - II	Tonnes 7.5								Tonnes 15								Tonnes 20				Tonnes 30		Tonnes 45	
SWL Class - IV	Tonnes 6								Tonnes 12								Tonnes 16				Tonnes 25		Tonnes 35	
Lift	M		10	18	30	50	5	9	15	25	10	18	30	50	5	9	15	25	10	18	25	10	18	
No. Of Falls	2 Falls				4 Falls				2 Falls				4 Falls				4 Falls			4 Falls				
Wire Rope Dia.	mm 18				mm 18				mm 18				mm 18				mm 22			mm 24				
Hoisting Speed	M/Min. 8.2				M/Min. 4.1				M/Min. 6.7				M/Min. 3.3				M/Min. 3.5			M/Min. 2.6				
Hoisting Motor Kw.	Kw 15				Kw 15				Kw 15				Kw 15				Kw 22			Kw 22				
Travelling Speed	M/Min. 17				M/Min. 17				M/Min. 17				M/Min. 17				M/Min. 12			M/Min. 12				
Travelling Motor Kw.	Kw 0.55 Kw (2 Nos.)				Kw 0.75 Kw (2 Nos.)				Kw 0.55 Kw (2 Nos.)				Kw 0.75 Kw (2 Nos.)				Kw 1.1 (2 Nos.)			Kw 1.1 (2 Nos.)				
Trolley Wheel	Dia (Nos) 140 (4)				Dia (Nos) 140 (8)				Dia (Nos) 140 (4)				Dia (Nos) 140 (8)				Dia (Nos) 140 (8)			Dia (Nos) 160 (8)				
Dimn. A (Head Room)	mm 1860																							
Dimn. (B) (Note-1)	(mm) 1796		2077	2527	3426	1796	2077	2527	3426	1796	2077	2527	3426	1796	2077	2527	3426	2617	3063	3438	2850	3518		
Dimn. D	mm 539				mm 500				mm 539				mm 500				mm 646			mm 646				
Dimn. E	mm 585				mm 605				mm 585				mm 605				mm 802			mm 802				
Dimn. F	mm 381				mm 420				mm 381				mm 420				mm 489			mm 497				
Dimn. G (Flange Width)	mm 125 - 210				mm 150 - 210				mm 125 - 210				mm 150 - 210				mm 180-300			mm 180-300				
Dimn. H (Beam Size)	mm 250				mm 450				mm 250				mm 450				mm 550			mm 600				
Dimn. I	mm 78				mm 95				mm 78				mm 95				mm 155			mm 168				
Dimn. a2	mm 548				mm 652				mm 548				mm 652				mm 821			mm 656				
Dimn. a3	mm 99		220	415	706	40	121	250	445	99	220	415	706	40	121	250	445	291	437	583	351	570		
Approx. Weight	Hoist	Kg 480 510 595 765 530 570 695 835 480 510 595 765 530 570 695 835 820 885 950 900 975																						
	Trolley	Kg 180 180 180 180 280 280 280 280 140 140 140 140 280 280 280 280 300 300 300 350 350																						
Total	Kg 660 690 775 945 810 850 975 1115 620 650 735 905 810 850 975 1115 1120 1185 1250 1250 1325																							

NOTES:

- 1) 1:3 CREEP SPEED CAN BE GIVEN AT EXTRA COST. & DIMENSION 'B' WILL INCREASE BY 165 MM
- 2) 13,26 MPM TROLLIES ALSO CAN BE SUPPLIED (SINGLE REDUCTION GEAR BOX)
- 3) 8.5, 4.25, 2.8, 2.1 MPM TROLLIES ALSO CAN BE SUPPLIED (DOUBLE REDUCTION GEAR BOX) AT EXTRA COST, DIMENSION 'E' WILL INCREASE IN 100 MM.

Data Tolerance ±10% .

# HW2, HW3, HW4 (M), (H) (LH/RH) WIRE ROPE HOISTS



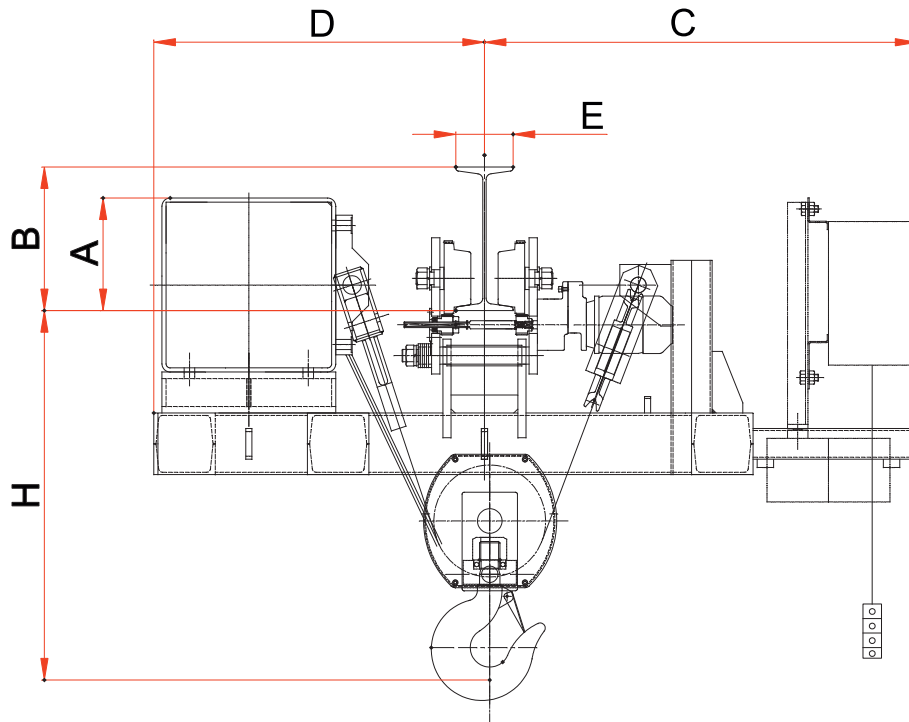
TYPE		HW2			HW3			HW4 (M) / HW4 (H)		
		H4	H6	H8	H3	H5	H7	H4	H6	H8
DRUM LENGTH.	MM	1032	1432	1831	836	1225	1613	1201	1651	2100
SWL CLASS - II	TONNES	3			5			7.5 / 10		
SWL CLASS - IV	TONNES	2.5			4			6 / 8		
LIFT	M	10	18	25	10	18	25	10	18	25
NO. OF FALLS	 4/2 FALLS									
WIRE ROPE DIA.	mm	8			10			13		
HOISTING SPEED	M/MIN.	8.2			8.1			8.2 / 6.7		
HOISTING MOTOR KW.	Kw	5.5			9			15		
TRAVELLING SPEED	M/MIN.	17			17			17		
TRAVELLING MOTOR KW.	Kw	0.37			0.37			0.55 KW (2 NOS.)		
Trolley Wheel Dia./Qty.	mm/ Nos.	140 (4)			140 (4)			140 (4)		
DIMN. A (HEAD ROOM)	mm	1160			1400			1600		
DIMN. (B)	mm	1930	2330	2729	1798	2381	2575	2270	2752	3426
DIMN. D	mm	210			260			347		
DIMN. E	mm	550			410-460			410 - 460		
DIMN. F	mm	321			240			309		
DIMN. G (Flange Width)	mm	90-180			125-210			125 - 210		
DIMN. H (Beam Size)	mm	250			250			250		
DIMN. I	mm	42			52			78		
APPROX. WEIGHT HOIST	Kg	385	430	560	545	600	780	845	1045	1090
	TROLLEY	Kg	120	120	120	120	120	140	140	140
	TOTAL	Kg	505	550	680	665	720	900	985	1230

Data Tolerance  $\pm 10\%$  .

## NOTES:

- 1) 1:3 CREEP SPEED CAN BE GIVEN AT EXTRA COST & DIMENSION 'B' WILL INCREASE BY 165 MM
- 2) 13,26 MPM TROLLIES ALSO CAN BE SUPPLIED (SINGLE REDUCTION GEAR BOX)
- 3) 8.5, 4.25, 2.8, 2.1 MPM TROLLIES ALSO CAN BE SUPPLIED (DOUBLE REDUCTION GEAR BOX) AT EXTRA COST. DIMENSION 'E' WILL INCREASE IN 100 MM.

# SHORT HEAD ROOM WIRE ROPE HOISTS



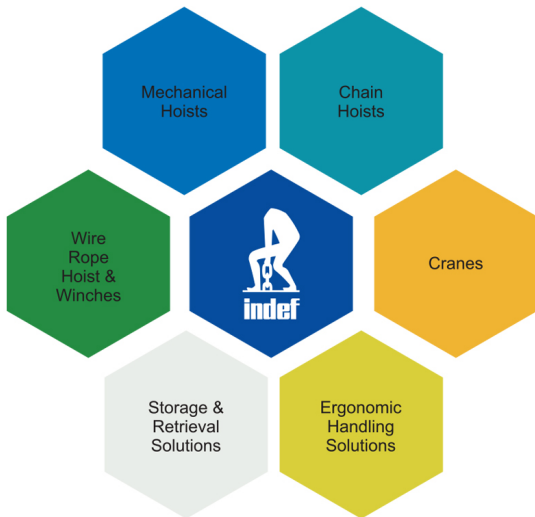
Model	Capacity	Falls	A (Max.)	B Beam Height (Min.)	C	D	E F.W. (Min.)	H Head Room (Min.)
HW-2	3T	2F	300	350	650	600	125-210	800
	6T	4F	300	350	650	600	125-210	800
HW-3	5T	2F	325	350	925	730	125-210	800
	10T	4F	325	350	920	800	125-210	1000
HW-4	10T	2F	375	400	1110	960	125-210	1100
	20T	4F	375	400	1130	980	125-210	1100

Data Tolerance  $\pm 10\%$  .

**NOTE :**

- 1) SUITABLE FOR STRAIGHT PATH ONLY.
- 2) TROLLEY MOTION MOTORISED.
- 3) HOIST IS SUITABLE FOR SPECIFIC BEAM SIZE. REQUIRED BEAM DETAILS ALONG WITH ORDER.
- 4) PLEASE REFER SPECIFICATION LEAFLET FOR OTHER DETAILS.

[www.indef.com](http://www.indef.com)



At HERCULES HOISTS LIMITED, we have been redefining material handling since our inception in 1962.

Incorporated with legacy of leadership: the BAJAJ Group from India and with technologies from some of the world's best in the material handling business, we have moved and grown with the times, donning the mantle of market leadership and providing you with any solution that you may need for LIFTING, MOVING and STROING.

We are never very far from you and you can be assured of the optimum solutions and our best service from us at all times.

Material Handling. Delivered.

AUTHORISED BUSINESS PARTNER

## **ELEQUIP TOOLS PVT. LTD.**

19 Pollock Street 2nd Floor Kolkata 700 001 WB

Tel : +91 (033) 22351792/2400 | M: 9674322200

[www.ehoists.in](http://www.ehoists.in) | [contact@ehoists.in](mailto:contact@ehoists.in)

## **HERCULES HOISTS LIMITED**

HHL/WRH-HW/ 2017 09

**bajaj group**

**Regional Sales & Service Office:**  
Delhi, Kolkatta, Chennai, Pune  
**Works**  
Khalapur, Pune

Note:- Due To continuous development and improvement specification listed above may be changed without notice