

HERCULES HOISTS LIMITED



Medium Duty Wire Rope Hoist WRH-N series

- ◆ Lifting
- ◆ Moving
- ◆ Storing

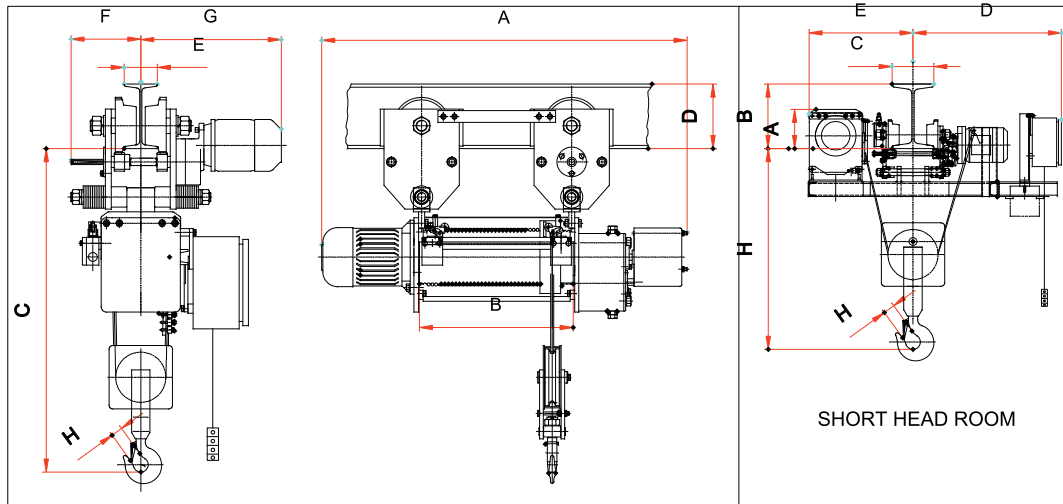


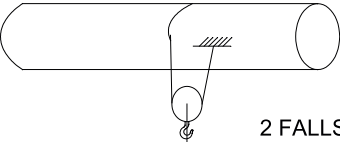
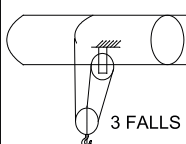
- ▶ Capacity Range
From 1 T SWL to 3 T SWL
- ▶ German origin, Medium duty application design
Built for smooth operation for various applications
- ▶ Proven design with guaranteed safety and reliability
- ▶ Precision machine cut case hardened alloy steel gears
Low noise operations through out life
- ▶ Unique and sturdy rope guide arrangement
Prevents rope slackening
- ▶ Seamless pipe accurately machined rope drum
Long life to hoist
- ▶ Optional design available for hazardous area application
Extended application capability

Material Handling. Delivered.

Redefining Material Handling. Since 1962.

WRH N & WRH NO - WIRE ROPE HOISTS



			WRH NO			WRH N					
	Capacity (SWL)	MT	1			2			3		
	Lift	Mtrs.	6	9	12	5.2	8.2	11.2	3.4	5.4	7.4
A		mm	995	1125	1255	1020	1145	1275	1020	1145	1275
B	Drum Length	mm	417	546	675	385	514	643	385	514	643
	Approx. Weight	Kg	164	175	180	225	240	255	300	315	330
	No. of Falls		 2 FALLS			 3 FALLS					
	Rope Dia.	mm	8			10			10		
	Hoist Speed	MPM	5			5			3.3		
	Trolley Speed	MPM	15			15			15		
	Hoist Motor	HP(KW)/RPM	1.5 (1.11)/1500			3 (2.2)/3000			3 (2.2)/3000		
	Trolley Motor	HP(KW)/RPM	0.25 (0.18)/1000			0.25 (0.18)/1000			0.5 (0.37)/1000		
	Trolley Wheel Dia./Qty. mm (Nos.)		115/4			115/4			115/4		
C	Head Room	mm	1000			1200			1450		
D	Min. Beam Height	mm	175			175			175		
E	Beam Flange	mm	90-210			90-210			90-210		
F		mm	190			190			190		
G		mm	575			575			575		
H		mm	31			34			42		

SHORT HEAD ROOM MODEL (Optional)

Model	Capacity	A (Max.)	B (Min.)	C		D (Max.)	E (Max.)	H (Min.)
				(Min.)	(Max.)			
WRH NO	1	200	250	90	210	600	500	500
WRH N	2	200	250	90	210	730	500	600

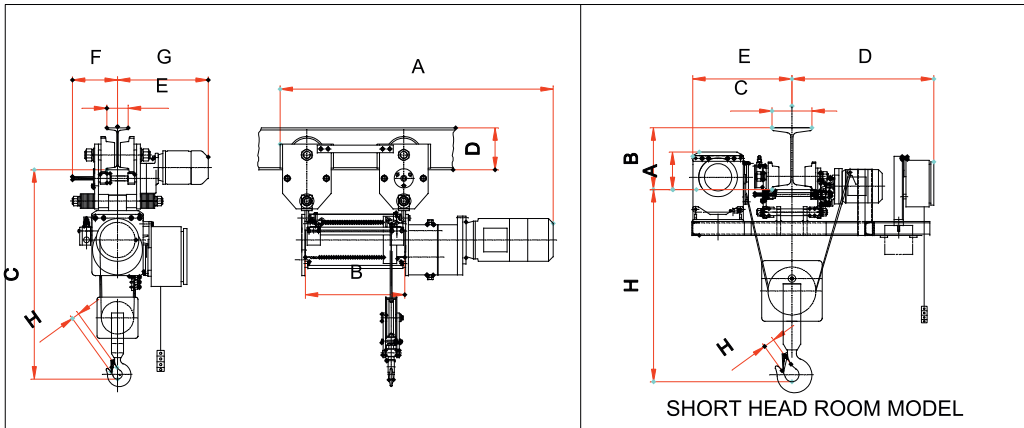
Data Tolerance $\pm 10\%$.

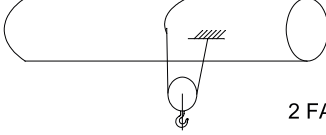
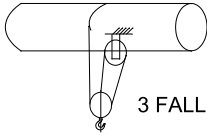
All dimensions are in mm

NOTES:

- Optional travelling speed of 7.5/3.25/2.5 m/min. can be offered.
- Check "I" Beam mounting arrangements, trolley plates will project 10mm above 'I' beam, if beam height is 150 mm.
- SHR Model is suitable for straight path only boggie can be supplier on request.

WRH NO-HL & WRH N-HL WIRE ROPE HOISTS



		WRH NO-HL		WRH N-HL				
Capacity (SWL)		MT	1		2		3	
	Lift	Mtrs.	18	25	17.2	25	11.4	16.5
A		mm	1682	1984	1635	1960	1635	1960
B	Drum Length	mm	933	1235	897	1235	897	1235
	Approx. Weight	Kg	200	250	300	350	360	400
	No. of Falls		 2 FALLS			 3 FALLS		
	ROPE DIA.	mm	8		10		10	
	Hoist Speed	MPM	5		5		3.3	
	Trolley Speed	MPM	15		15		15	
	Hoist Motor	HP(KW)/RPM	1.5 (1.11)/1500		3 (2.2)/1500		3 (2.2)/1500	
	Trolley Motor	HP(KW)/RPM	0.25 (0.18)/1500		0.25 (0.18)/1500		0.5 (0.37)/1500	
	Trolley Wheel (Dia./Qty.)	mm/nos	113(4)		113(4)		113(4)	
C	Head Room	mm	1000		1200		1450	
D	Min. Beam Height	mm	175		175		175	
E	Beam Flange	mm	90-210		90-210		90-210	
F		mm	189		189		189	
G		mm	566		566		566	

SHORT HEAD ROOM MODEL (Optional)

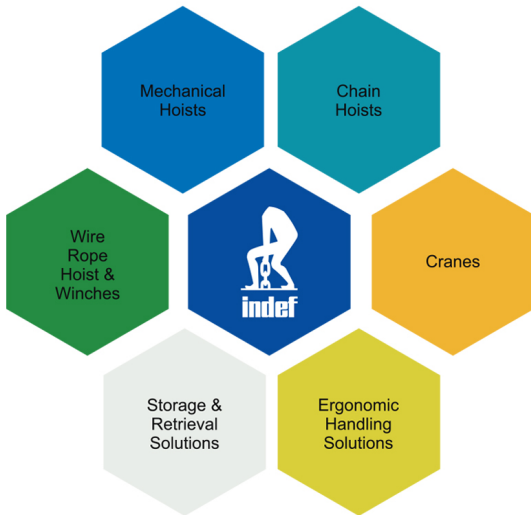
Model	Capacity	A (Max.)	B (Min.)	C		D (Max.)	E (Max.)	H (Min.)
				(Min.)	(Max.)			
WRH NO-HL	1	200	300	90	210	800	500	500
WRH N-HL	2	200	300	90	210	850	500	600

Data Tolerance $\pm 10\%$.

All dimensions are in mm

NOTES:

- Optional travelling speed of 8.5/4.25/2.1,2.8 m/min. can be offered.
- Check "I" Beam mounting arrangements, trolley plates will project 10mm above 'I' beam, if beam height is 150 mm.
- SHR Model is suitable for straight path only boggie can be supplied on request.



At HERCULES HOISTS LIMITED, we have been redefining material handling since our inception in 1962.

Incorporated with legacy of leadership: the BAJAJ Group from India and with technologies from some of the world's best in the material handling business, we have moved and grown with the times, donning the mantle of market leadership and providing you with any solution that you may need for LIFTING, MOVING and STROING.

We are never very far from you and you can be assured of the optimum solutions and our best service from us at all times.

Material Handling. Delivered.

AUTHORISED BUSINESS PARTNER

ELEQUIP TOOLS PVT. LTD.

19 Pollock Street 2nd Floor Kolkata 700 001 WB

Tel : +91 (033) 22351792/2400 | M: 9674322200

www.ehoists.in | contact@ehoists.in

HERCULES HOISTS LIMITED

Shelton Cubix, 501-504,

5th Floor, Plot No.87,

Sector 15, CBD Belapur

📞 :+91 2192662503

✉ :+91 2245417301

📧 : indef@indef.com

Regional Sales & Service Office:

Delhi, Kolkatta, Chennai, Pune

Works

Khalapur, Pune

