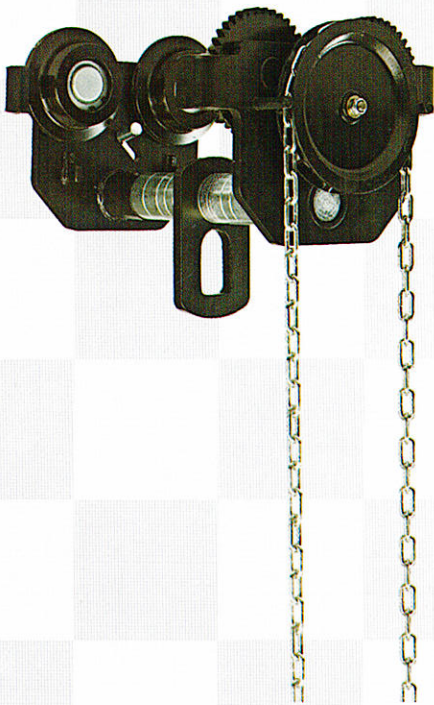


**HERCULES HOISTS LIMITED**

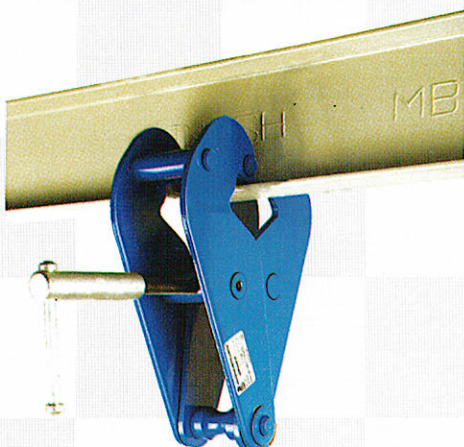


## **Push Pull / Geared Trolley & Beam Clamp**

- ◆ Lifting
- ◆ Moving
- ◆ Storing



- ▶ Wide Range - 1T to 20 T
- ▶ Wheels fitted with sealed ball bearing
- ▶ Flange adjustability - 50 mm to 305 mm
- ▶ Anti-drop plate and anti-tilting device for protection
- ▶ Contour trolley wheel design suitable for maximum beam contact on flat or tapered beams
- ▶ Anti corrosive powder coated finish.
- ▶ Central load suspension and robust side plates with four wheels divides the load evenly



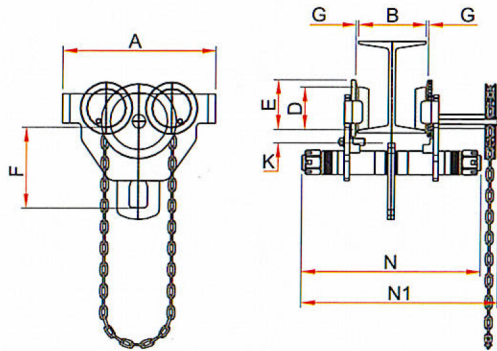
- ▶ Wide range - 1T to 10T
- ▶ Simple & safe load attachment tool
- ▶ Flange adjustability - 75 mm to 320 mm
- ▶ Ideal for erection and installation work
- ▶ Easy two step operation for urgent tasks

**Material Handling. Delivered.**

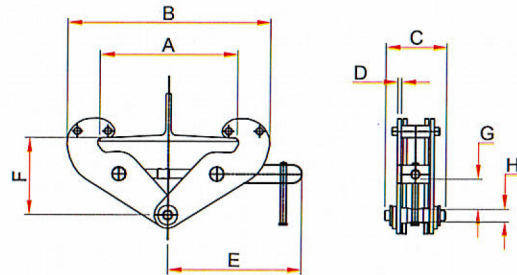
**Redefining Material Handling. Since 1962.**



PULL PUSH/GEARED TROLLEY



BEAM CLAMP



|                          |                  |  |        |        |         |         |         |         |
|--------------------------|------------------|--|--------|--------|---------|---------|---------|---------|
| TYPE                     | Push trolley PTM |  | 1      | 2      | 3       | 5       | 10      | -       |
| TYPE                     | Gear trolley GTM |  | 1      | 2      | 3       | 5       | 10      | 20      |
| Capacity                 | T                |  | 1      | 2      | 3       | 5       | 10      | 20      |
| Flange width B min.-max. | R2               |  | 64-203 | 88-203 | 100-203 | 114-203 | 124-203 | 136-203 |
|                          | R3               |  | 64-305 | 88-305 | 100-305 | 114-305 | 124-305 | 136-305 |
| Min. Curve radius        | m                |  | 0.9    | 1      | 1.2     | 1.3     | 1.7     | 2.8     |
| A (Dimensions)           | mm               |  | 246    | 276    | 332     | 377     | 389     | 574     |
| D                        | mm               |  | 68     | 80     | 100     | 110     | 136     | 175     |
| E                        | mm               |  | 82     | 94     | 116     | 127     | 156     | 200     |
| F                        | mm               |  | 125    | 150    | 171     | 196     | 285     | 315     |
| G                        | mm               |  | 2      | 2      | 3       | 3       | 3       | 3       |
| K                        | mm               |  | 38     | 38     | 40      | 42      | 22      | 30      |
| N (RANGE-R2)             | mm               |  | 311    | 327    | 343     | 355     | 403     | -       |
| N1 (RANGE-R2)            | mm               |  | 338    | 349    | 362     | 374     | 480     | 537     |
| Weight PTM               | kg               |  | 10.5   | 17.5   | 27      | 41      | 48      | -       |
| Weight GTM               | kg               |  | 14.5   | 21.5   | 31      | 46      | 95      | 244     |

|                     |    |     |     |     |     |     |
|---------------------|----|-----|-----|-----|-----|-----|
| TYPE                | BK | 10  | 20  | 30  | 50  | 100 |
| Capacity            | T  | 1   | 2   | 3   | 5   | 10  |
| Grip range A min.   | mm | 75  | 75  | 80  | 90  | 90  |
| Grip range A max.   | mm | 230 | 230 | 320 | 320 | 320 |
| B min. (Dimensions) | mm | 180 | 180 | 220 | 220 | 250 |
| B max.              | mm | 375 | 375 | 498 | 498 | 514 |
| C                   | mm | 80  | 90  | 117 | 127 | 139 |
| D                   | mm | 5   | 5   | 8   | 10  | 16  |
| E                   | mm | 220 | 220 | 271 | 271 | 280 |
| F min.              | mm | 102 | 102 | 168 | 168 | 172 |
| F max.              | mm | 160 | 160 | 240 | 240 | 242 |
| G min.              | mm | 29  | 28  | 60  | 57  | 55  |
| H                   | mm | 20  | 22  | 24  | 30  | 40  |
| Weight              | kg | 4   | 5   | 9   | 11  | 18  |

AUTHORISED BUSINESS PARTNER

**ELEQUIP TOOLS PVT. LTD.**  
 19 Pollock Street 2nd Floor Kolkata 700 001 WB  
 Tel : +91 (033) 22351792/2400 | M: 9674322200  
 www.ehoists.in | contact@ehoists.in



MANUFACTURER

**HERCULES HOISTS LIMITED**  
 43/2B, Savroli-Kharpada Road, Dhamani, Khalapur - 410 202, Maharashtra, India  
 Regional offices: Chennai | Kolkata | New Delhi | Pune  
 Tel : +91 (0)2192 662555 | Fax: +91 (0) 2192 662504  
 www.indef.com | indef@indef.com

HHL / Stier Trolley - Beam Clamp / 2016 06