

**HERCULES HOISTS LIMITED**



## **CH-III Series Chain Electric Hoist**

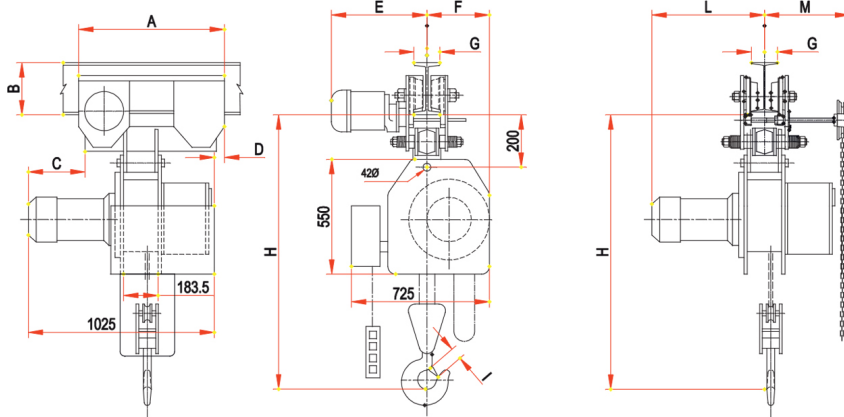
- ◆ Lifting
- ◆ Moving
- ◆ Storing



- ▶ Capacity range designed for high lift application  
Lifts upto 100 mtr.
- ▶ Grade 80 load chain  
Higher safety factor & better chain life.
- ▶ Truly modular construction  
Easily accessible separate brake, motor, gearbox & panel unit
- ▶ proven design with guaranteed safety & reliability
- ▶ Precision machine cut hardened alloy steel gears and load chain wheel  
Long life, noiseless operation
- ▶ Built-in control panel with std. electricals  
Ready to use
- ▶ Fail safe disc brake  
Trouble free Operations and Easy to adjust.
- ▶ Optional features; Remote control, VVVF Drive, PLC automated operation for multiple hoists.

**Material Handling. Delivered.**

**Redefining Material Handling. Since 1962.**



Electric chain hoist with electric trolley

Electric chain hoist with geared trolley

Type		CH-III				
Class		II				
S.W.L. (Tonne)		MT	2.5	5.0	7.5	10
No. of falls			1	2	3	4
	Fixed suspension	Kg.	328	381	402	427
Appr. weight at	with electric trolley	Kg.	500	525	550	600
3 mt. lift	with geared trolley	Kg.	376	451	553	578
Extra weight per add. mt. lift (approx)		Kg.	3.3	6.6	9.9	13.2
Hoisting speed mts./min		MPM	5.2	2.6	1.7	1.3
Travelling speed mts./min		MPM	17	17	17	17
Hoisting motor		HP (kw)	5(3.7)	5(3.7)	5(3.7)	5(3.7)
Travelling motor		HP (kw)	0.25(0.18)	0.5(0.37)	0.75(0.55)x2	0.75(0.55)x2
A	Electric trolley	mm	730	730	730	930
	Geared trolley	mm	496	496	616	616
B-min (ISMB)	Electric trolley	mm	250	250	250	250
	Geared trolley	mm	200	200	300	300
C	Electric trolley	mm	345	345	345	164
D	Electric trolley	mm	60	60	60	72
E (min.-max.)	Electric trolley	mm	550-600	550-600	550-600	550-600
F (min.-max.)	Electric trolley	mm	260-303	325-368	385-428	325-368
L	Geared trolley	mm	720	720	720	665
M	Geared trolley	mm	455	455	455	510
G (min.-max.)	Electric trolley	mm	125-210	125-210	125-210	125-210
	Geared trolley	mm	125-160	125-150	140-180	140-180
H (min.-max.)	Electric trolley	mm	1050	1375	1500	1500
	Geared trolley	mm	1175	1425	1550	1550

Data tolerance ±10%

## HERCULES HOISTS LIMITED

AUTHORISED BUSINESS PARTNER

### ELEQUIP TOOLS PVT. LTD.

19 Pollock Street 2nd Floor Kolkata 700 001 WB

Tel : +91 (033) 22351792/2400 | M: 9674322200

www.ehoists.in | contact@ehoists.in

Shelton Cubix, 501-504,

5th Floor, Plot No.87,

Sector 15, CBD Belapur

☎ :+91 2192662503

✉ :+91 2245417301

📧 : indef@indef.com

**Regional Sales & Service Office:**

Delhi, Kolkatta, Chennai, Pune  
**Works**

Khalapur, Pune