

HERCULES HOISTS LIMITED



Electric Chain Hoist Medium Duty (EH II) Series

- ◆ Lifting
- ◆ Moving
- ◆ Storing



- ▶ **Capacities up to 2T**
Suitable for medium duty application
- ▶ **Rugged German design and proven over 30 years**
Assured reliability
- ▶ **Built with conical rotor brake motor**
Proven technology ensuring motor start / brake release and motor switch-off / brake application are synchronised
- ▶ **Fail safe brake**
Advantage of conical rotor motor
- ▶ **Precision machine case hardened, alloy steel gears**
Long life with low noise operation
- ▶ **Light weight, simple mounting design**
Easy to install, use, re-install
- ▶ **Built in control panel**
Plug and use
- ▶ **Precision machined and hardened load chain wheel**
Long life of load chain wheel and smooth operation
- ▶ **Grade 80 load chain**
Higher safety factor and longer chain life
- ▶ **Hoist and Electric Control Design available for hazardous area application**
Extended application capability

Material Handling. Delivered.

Redefining Material Handling. Since 1962.

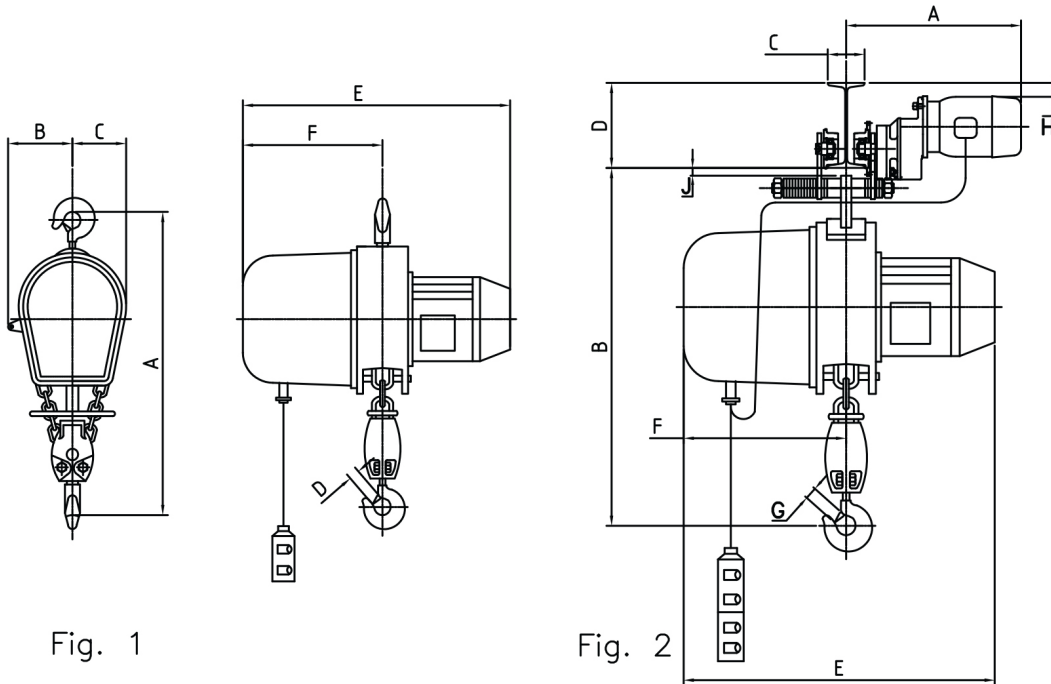


Fig. 1

Fig. 2

"EH II " with hook suspension (Fig.1)						
Capacity	MT	1	2		1	2
Chain falls	No.	2	4	A	750	860
Hoisting speed	m/mn	4.8	2.4	B	150	150
Hoist Motor	H.P.	1.5	1.5	C	120	120
*Height of max. lift (Std. 3m)	m	9.6	4.8	D	31	37
Length of control cable	m	At your choice		E	525	525
Approx. wt. with chains for 3m. lift	kg.	63	65	F	285	285
Approx. wt. per meter additional lift	kg.	2.6	5.2			

*Higher lifts offered on request -

"EH II " with electric trolley (Fig.2)						
Capacity	MT	1	2		1	2
Travelling speed	m/min.	10	10	A for C Max	493	500
Travelling motor	H.P.	0.5	0.5	A for C Min..	370	395
				B	840	965
Min. runaway bend (radius of curvature)	mm	2000	2500	C Max.	305	305
				C Min.	58	90
Approx. wt. with chains for 3m. lift	kg.	87	96	D Min.	150	200
				E	525	525
Approx. wt. per meter additional lift	kg.	2.6	5.2	F	285	285
				G	31	37
				H Min.	23	14
				*J Max.	28	28

*To calculate clearance under beam subtract beam flange thickness from 'J'

Data tolerance±10%

HHL/ECH/EHII/2019/V1

Authorised Distributor

ELEQUIP TOOLS PVT. LTD

19 Pollock Street 2nd Floor
Kolkata 700 001 W.B
Tel: +91 9674322200 / (033)22351792
www.ehoists.in | contact@ehoists.in



HERCULES HOISTS LIMITED

43/2B, Savroli-Kharpada Road, Dhamani, Khalapur - 410 202, Maharashtra, India
Regional offices: Chennai | Kolkata | New Delhi | Pune
Tel :+91 (0)2192 662555 | Fax: +91 (0) 2192 662504
www.indef.com | indef@indef.com